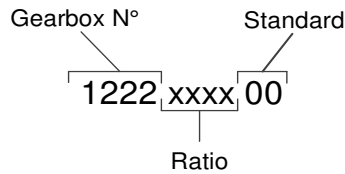


Planetary gearbox 1222

ø22 mm - 0,5 to 1,5Nm

Part number



Example with Ratio 28,44:1

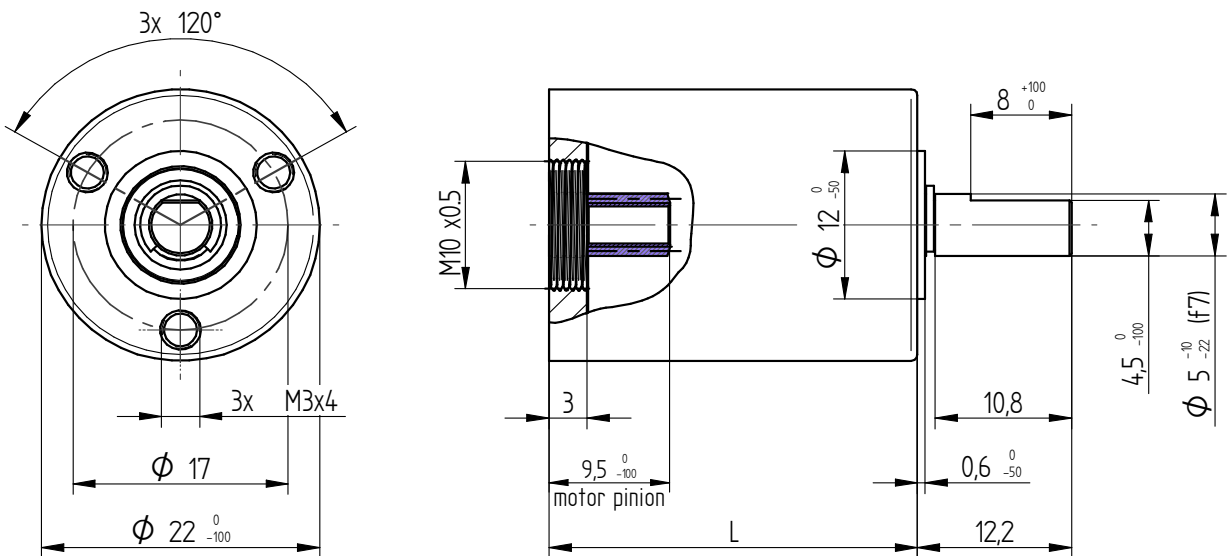
1222 0028 00

Technical data

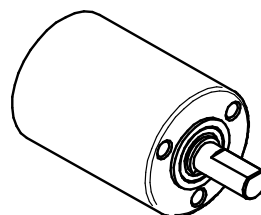
Ratio	3,16:1	5,33:1	10,02:1	16,88:1	28,44:1	53,48:1	90,07:1	151,7:1
No. of gear stages	1		2			3		
Axial play	+10 / +190							
Max. radial force at 6mm from mounting face	70 N							
Max. axial shaft load	20 N							
Max. torque permanent Nm	0.5	0.8	1.2	1.4	1.5			
Max. torque intermittent Nm	1.0							
Max input speed for continuous torque	12000 rpm							
Dir. of rotation entrance - exit	=							
Operating range	-30°C - 85°C							
Output shaft material	Stainless steel							
Cover material	Metal							
Lenght L	19.9	29.1	38.3					

Other ratio on request

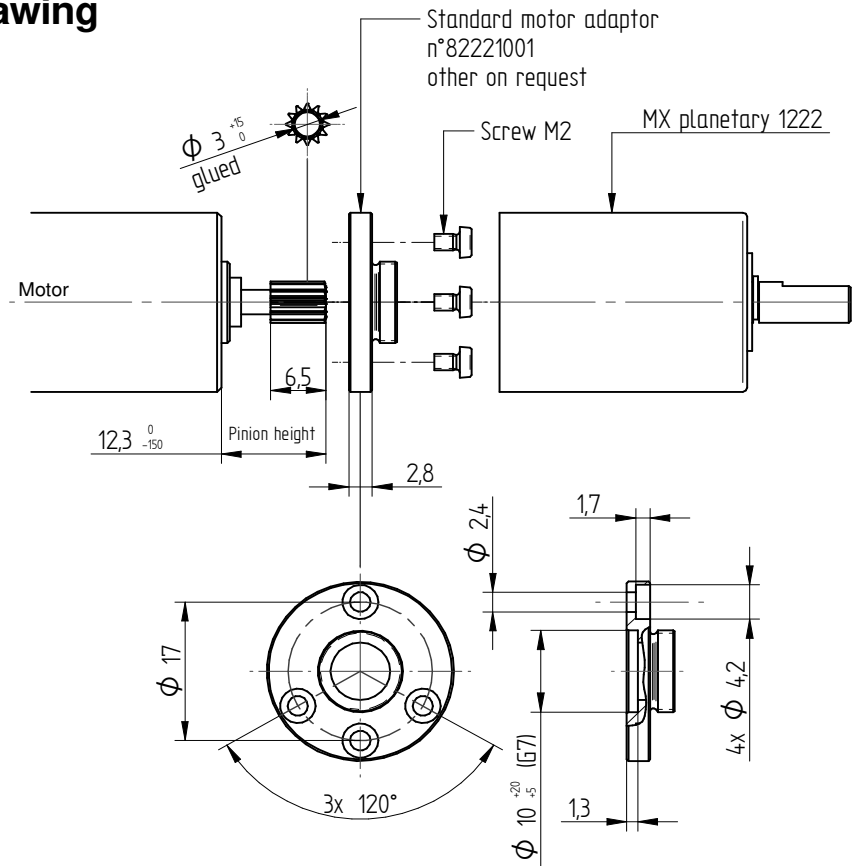
(dimension in mm, tolerances in µm)



Assembly details on next page



Assembly drawing



Motor pinion selection

Pinion part N°	Ø	Ratio					
		3,16:1	10,02:1				
4122 1003	3	3,16:1	10,02:1				
4122 1005	3	5,33:1	16,88:1	28,44:1	53,48:1	90,07:1	151,7:1