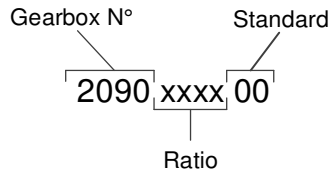


Part number



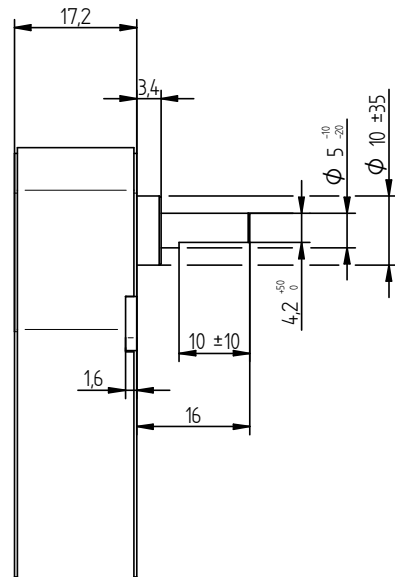
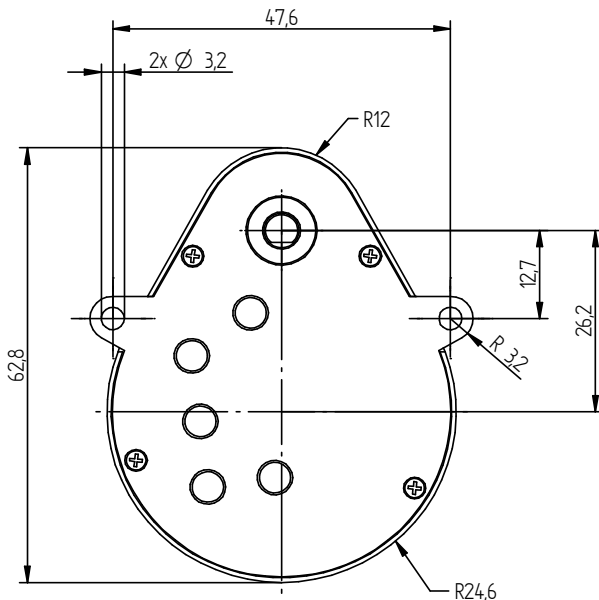
Example with Ratio 24:1
2090 0024 00

Technical data

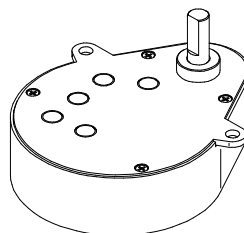
Ratio	4,25:1	9:1	12:1	18:1	24:1	48:1	90:1	180:1	360:1	810:1	1620:1
No. of gear stages	2	3	4	5	6	7	8				
Axial play μm	50-300										
Max. radial force at 5mm from bearing	60N										
Radial play at 5mm from bearing	0.02										
Max. axial force	50 N										
Max. torque permanent Nm	0,3	0,5	0,8	1	1,2	1,5	2				
Max. torque intermittent Nm	0,5	0,8	1,2	1,5	2,5						
Average backlash at no-load	2,5°										
Recommended input speed rpm	5000										
Dir. of rotation entrance - exit	=	≠	=	≠	=	≠	=				
Operating temperature	-30 ... 65°C										
Output shaft material	Stainless steel										
Cover material	Steel flanges / Plastic body										
Mass g	86	88	90	92	95	98	102				
Length gearbox L mm	17,2										

Other ratio on request

(dimensions in mm, tolerances in μm)



Assembly details on next page



Assembly drawing

